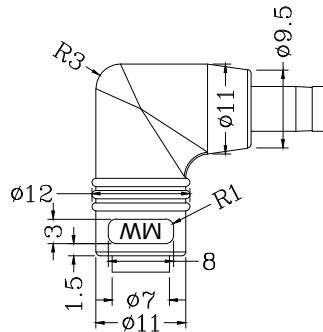
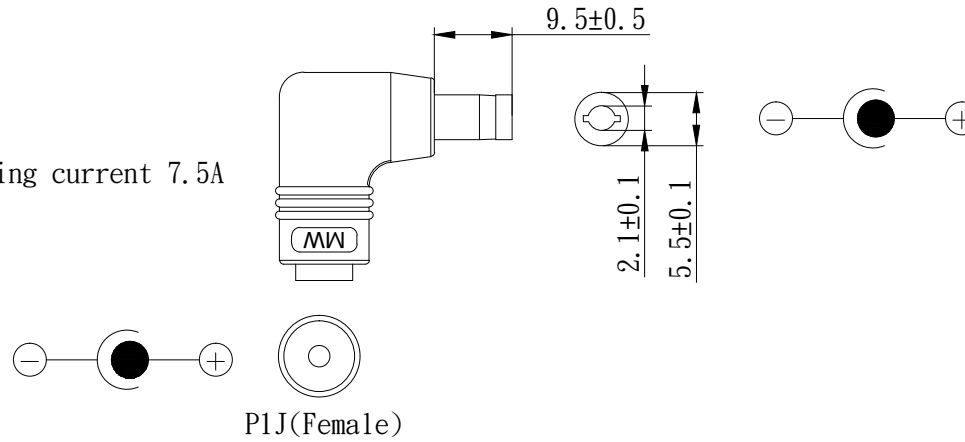


MW's Order No. :DC PLUG-P1J-P1IR

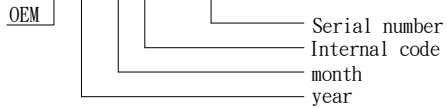
Rating current 7.5A



Remark:
1.30pcs per packing

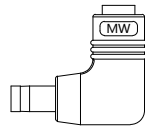



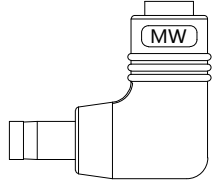
OC02WD0001



O:OEM
C0:2020 (A:0, B:1, C:2)
2:February(A:10, B:11, C:12)
WD:Internal code
0001:Serial number

PACKAGING BAG

MW's Order NO.	DC PLUG-P1J-P1IR
Specification	Straight P1J (2.1*5.5*11mm) → Right-angled P1IR (2.1*5.5*9.5mm) 
Quantity	1 pc
Bar code	 OC02WD0001




明緯企業股份有限公司
MEAN WELL ENTERPRISES CO., LTD.

ITEM

DC PLUG CONVERTER