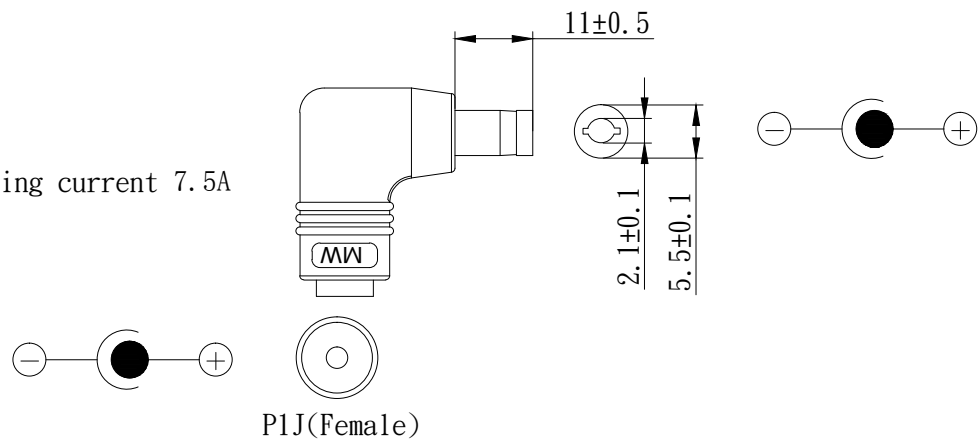


MW's Order No. : DC PLUG-P1J-P1JR

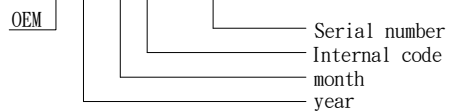
Rating current 7.5A



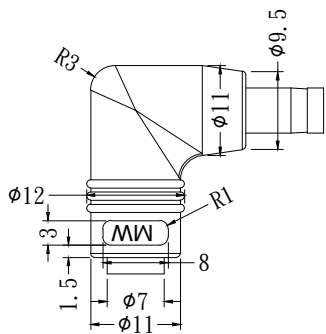
P1J(Female)



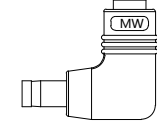

OC02WG0001

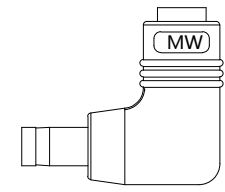


0: OEM
 C0: 2020 (A:0, B:1, C:2)
 2: February (A:10, B:11, C:12)
 WG: Internal code
 0001: Serial number



Remark:
 1.30pcs per packing

PACKAGING BAG	
MW's Order NO.	DC PLUG-P1J-P1JR
Specification	Straight P1J (2.1*5.5*11mm) → Right-angled P1JR (2.1*5.5*11mm) 
Quantity	1 pc
Bar code	 OC02WG0001




明緯企業股份有限公司
 MEAN WELL ENTERPRISES CO., LTD.

ITEM DC PLUG CONVERTER