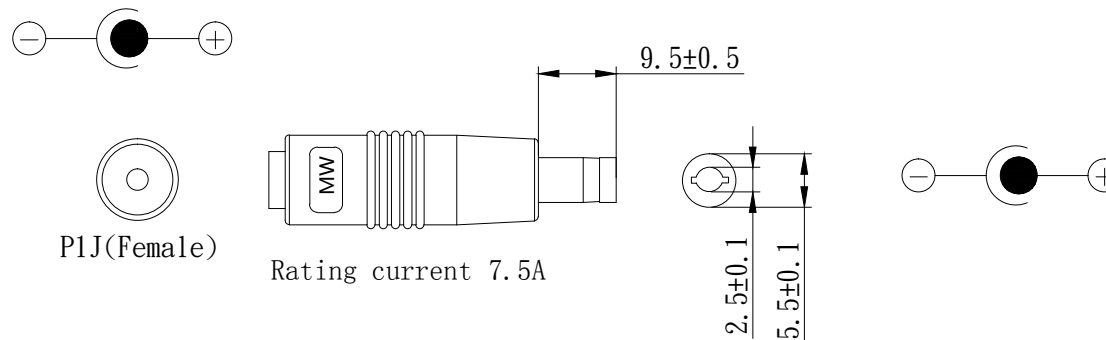


MW' s Order No. :DC PLUG-P1J-P1L

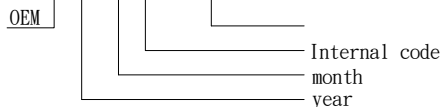


P1J(Female)

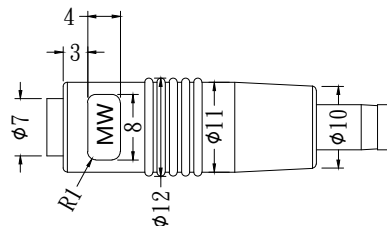
Rating current 7.5A



OC02WC0001

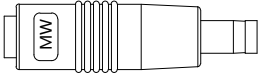



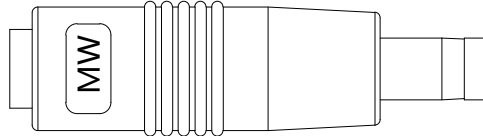
0:OEM  
 C0:2020 (A:0, B:1, C:2)  
 2:February(A:10, B:11, C:12)  
 WC:Internal code  
 0001:Serial number



Remark:  
 1.30pcs per packing

PACKAGING BAG

MW' s Order NO.	DC PLUG-P1J-P1L
Specification	Straight P1J (2.1*5.5*11mm) → Straight P1L (2.5*5.5*9.5mm) 
Quantity	1 pc
Bar code	 OC02WC0001




明緯企業股份有限公司  
 MEAN WELL ENTERPRISES CO., LTD.

ITEM DC PLUG CONVERTER