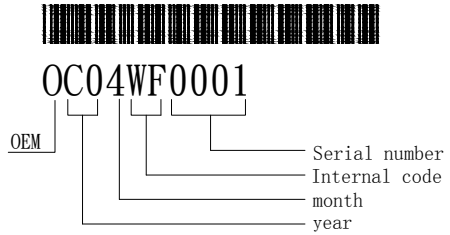
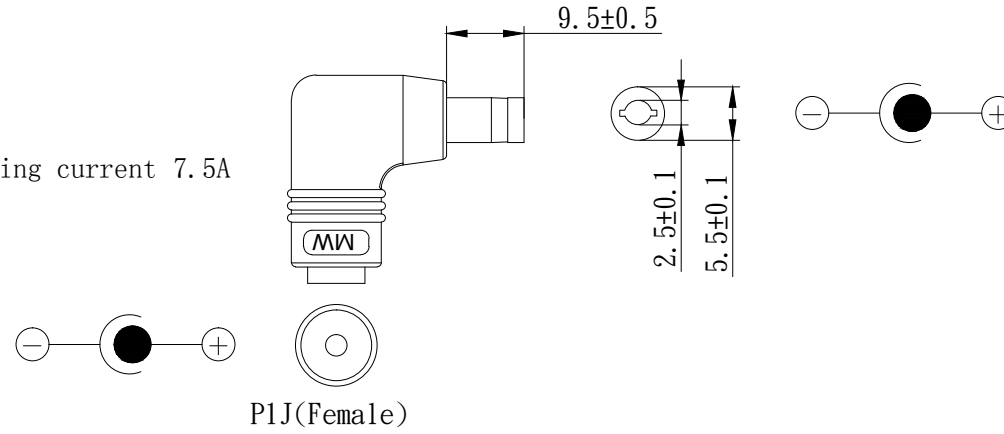
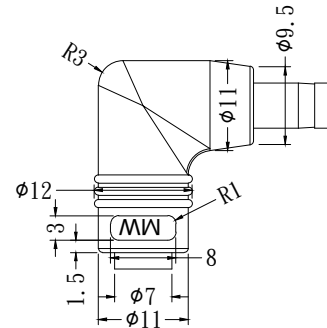


MW Order No. :DC PLUG-P1J-P1LR

Rating current 7.5A



0:OEM
 C0:2020 (A:0, B:1, C:2)
 4:April(A:10, B:11, C:12)
 WF:Internal code
 0001:Serial number



Remark:
 1.30pcs per packing

PACKAGING BAG

MW' s Order NO.	DC PLUG-P1J-P1LR
Specification	Straight PIJ (2.1*5.5*11mm) → Right-angled P1LR(2.5*5.5*9.5mm)
Quantity	1 pc
Bar code	OC04WF0001



明緯企業股份有限公司
 MEAN WELL ENTERPRISES CO., LTD.

ITEM DC PLUG CONVERTER