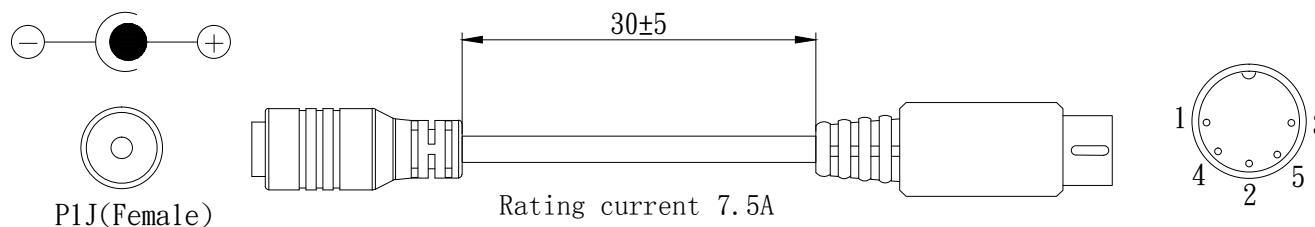


MW Order No. :DC PLUG-P1J-R1B



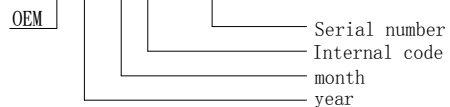
Pin Assignmet

P1J+ connected to R1B P3、5 (+)

P1J- connected to R1B P1、2、4 (-)



OC02WM0001



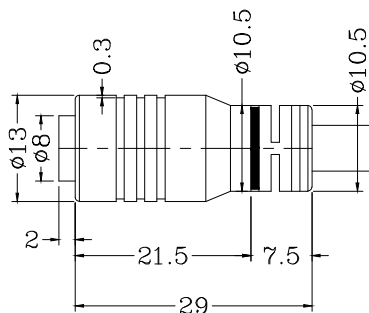
0:OEM

C0:2020 (A:0, B:1, C:2)

2:February(A:10, B:11, C:12)

WM:Internal code

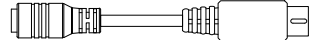
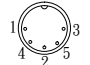

0001:Serial number

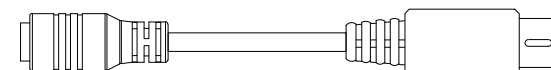


Remark:

1. 30pcs per packing

PACKAGING BAG

MW' s Order NO.	DC PLUG-P1J-R1B
Specification	Straight P1J(2.1*5.5*11mm) → 5pin din R1B  R1B P3、5 (+)  R1B P1、2、4 (-)
Quantity	1 pc
Bar code	 OC02WM0001



明緯企業股份有限公司
MEAN WELL ENTERPRISES CO., LTD.

ITEM

DC PLUG CONVERTER