

■ Features

- DIP 2"x1" package with industry standard pinout
- 8:1(9~75Vdc) ultra-wide input range
- Operating temperature range -40 ~ +90°C
- No minimum load required
- Comply to BS EN/EN55032 radiated Class A without additional components
- High efficiency up to 86%
- Protections: Short circuit (Continuous) / Overload / Over voltage / UVLO
- 3KVdc I/O isolation
- Remote ON/OFF control (By request)
- 3 years warranty

■ Applications

- Telecom/datacom system
- Wireless network
- Industrial control facility
- Instrument
- Analyzer
- Detector
- Data switch

■ GTIN CODE

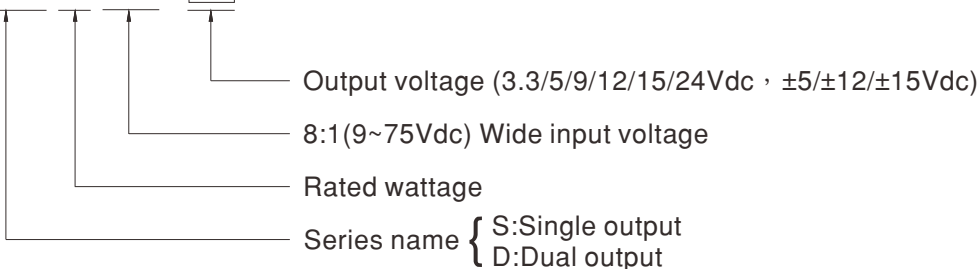
MW Search: <https://www.meanwell.com/serviceGTIN.aspx>

■ Description

SKA15W8 and DKA15W8 series are 15W isolated and regulated module type DC-DC converter with DIP 2"x1" package. It features international standard pins, a high efficiency up to 86%, wide working temperature range -40~+90°C , 3KVdc I/P-O/P isolation voltage, compliance to BS EN/EN55032 radiated Class A without additional components, continuous-mode short circuit, overload, over voltage, input under voltage protection etc. The models account for 9~75Vdc 8:1 ultra-wide input range, and various output voltage, 3.3V/5V/9V/12V/15V/24V for single output and ±5V/±12V/±15V for dual outputs, which are suitable for all kinds of systems, Such as industrial control, telecommunication field, distributed power architecture, and so on.

■ Model Encoding

SKA15W8-12





15W 2"x1" Package 8:1 Ultra-Wide Input DC-DC Regulated Converter

**SKA15W8 & DKA15W8** series

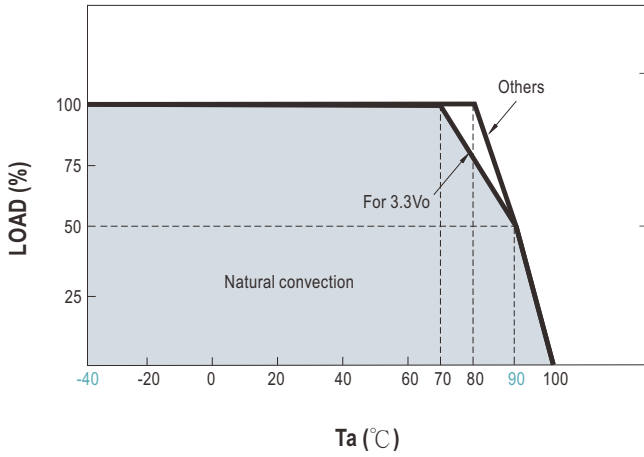
**MODEL SELECTION TABLE**

ORDER NO.	INPUT			OUTPUT		EFFICIENCY (TYP.)	CAPACITOR LOAD (MAX.)
	INPUT VOLTAGE (RANGE)	INPUT CURRENT		OUTPUT VOLTAGE	OUTPUT CURRENT		
		NO LOAD	FULL LOAD				
SKA15W8-03	Nominal 12V, 24V, 36V, 48V, 72V (9 ~ 75V)	10mA	679mA	3.3V	0~4000mA	81%	680μF
SKA15W8-05		10mA	744mA	5V	0~3000mA	84%	680μF
SKA15W8-09		10mA	727mA	9V	0~1666mA	86%	470μF
SKA15W8-12		15mA	727mA	12V	0~1250mA	86%	330μF
SKA15W8-15		15mA	727mA	15V	0~1000mA	86%	220μF
SKA15W8-24		15mA	727mA	24V	0~625mA	86%	100μF
DKA15W8-05		10mA	744mA	±5V	±0~1500mA	84%	*330μF
DKA15W8-12		15mA	727mA	±12V	±0~625mA	86%	*150μF
DKA15W8-15		15mA	727mA	±15V	±0~500mA	86%	*100μF

\* For each output

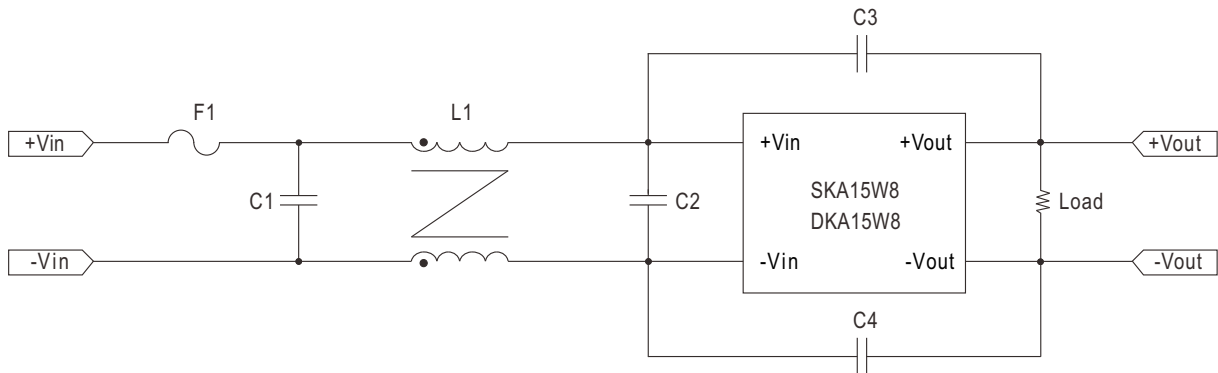
SPECIFICATION			
<b>INPUT</b>			
VOLTAGE RANGE	9~75Vdc		
SURGE VOLTAGE (100ms max.)	100Vdc		
FILTER	Pi network		
PROTECTION	Fuse recommended 5A Slow-Blow		
<b>OUTPUT</b>			
VOLTAGE ACCURACY	±2%		
RATED POWER	15W		
RIPPLE & NOISE	Note.2	150mVp-p max.	
LINE REGULATION	Note.3	±0.5%	
LOAD REGULATION	Note.4	±1% for 3.3Vdc output, ±0.5% for other output	
CROSS REGULATION	±5% @ 25% ~ 100% load only dual output		
SWITCHING FREQUENCY (Typ.)	300KHz (PWM)		
<b>PROTECTION</b>			
SHORT CIRCUIT	Protection type : Continuous, automatic recovery		
OVERLOAD	110 ~ 230%		
	Protection type : Recovers automatically after fault condition is removed		
OVER VOLTAGE	Clamp by TVS diodes		
UNDER VOLTAGE LOCKOUT (Typ.)	Start-up voltage: 8.8Vdc		
	Shutdown voltage: 8Vdc		
<b>FUNCTION</b>			
REMOTE CONTROL (By request)	Power ON: R.C. ~ -Vin >2.5~30Vdc or open circuit ; Power OFF: R.C. ~ -Vin <1Vdc or short		
<b>ENVIRONMENT</b>			
COOLING	Free-air convection		
WORKING TEMP.	-40 ~ +90°C (Refer to "Derating Curve")		
CASE TEMPERATURE	+110°C max.		
WORKING HUMIDITY	5% ~ 95% RH non-condensing		
STORAGE TEMP., HUMIDITY	-55 ~ +125°C, 10 ~ 95% RH non-condensing		
TEMP. COEFFICIENT	±0.03% / °C (0 ~ 80°C)		
SOLDERING TEMPERATURE	1.5mm from case of 3 ~ 5 sec./265°C max.		
VIBRATION	10 ~ 500Hz, 2G 10min./1cycle, period for 60min. each along X, Y, Z axes		
<b>SAFETY &amp; EMC (Note.5)</b>			
SAFETY STANDARDS	EAC TP TC 020/2011 approved		
WITHSTAND VOLTAGE	I/P-O/P:3KVdc		
ISOLATION RESISTANCE	I/P-O/P:1000M Ohms / 500Vdc / 25°C / 70% RH		
ISOLATION CAPACITANCE (Typ.)	1000pF		
EMC EMISSION	<b>Parameter</b>	<b>Standard</b>	<b>Test Level / Note</b>
	Conducted	BS EN/EN55032(CISPR32)	N/A
	Radiated	BS EN/EN55032(CISPR32)	Class A without additional components Class B with additional components
EMC IMMUNITY	<b>Parameter</b>	<b>Standard</b>	<b>Test Level / Note</b>
	ESD	BS EN/EN61000-4-2	Level 3, ±8KV air, Level 2, ±4KV contact
	Radiated Susceptibility	BS EN/EN61000-4-3	Level 2, 3V/m
	EFT/Bursts	BS EN/EN61000-4-4	Level 1, 0.5KV
	Surge	BS EN/EN61000-4-5	Level 2, Line-Line ±0.5KV
	Conducted	BS EN/EN61000-4-6	Level 2, 3V(e.m.f.)
Magnetic Field	BS EN/EN61000-4-8	Level 1, 1A/m	
<b>OTHERS</b>			
MTBF	>860Khrs MIL-HDBK-217F(25°C)		
DIMENSION (L*W*H)	50.8*25.4*11.2mm (2*1*0.44 inch)		
CASE MATERIAL	Six-side shielded case		
PACKING	29g ; 10pcs/per tube, 400pcs/40 tube/per carton		
<b>NOTE</b>			
1. All parameters are specified at normal input (24Vdc), rated load, 25°C 70% RH ambient. 2. Ripple & noise are measured at 20MHz by using a 12" twisted pair terminated with a 0.1µf & 47µf capacitor. 3. Line regulation is measured from low line to high line at rated load. 4. Load regulation is measured from 0% to 100% rated load. 5. The final equipment must be re-confirm that it still meet EMC directives. For guidance on how to perform these EMC tests, please refer to "EMI testing of component power supplies."(as available on <a href="http://www.meanwell.com">http://www.meanwell.com</a> ) ※ Product Liability Disclaimer : For detailed information, please refer to <a href="https://www.meanwell.com/serviceDisclaimer.aspx">https://www.meanwell.com/serviceDisclaimer.aspx</a>			

**Derating Curve**



**EMC Suggestion Circuit**

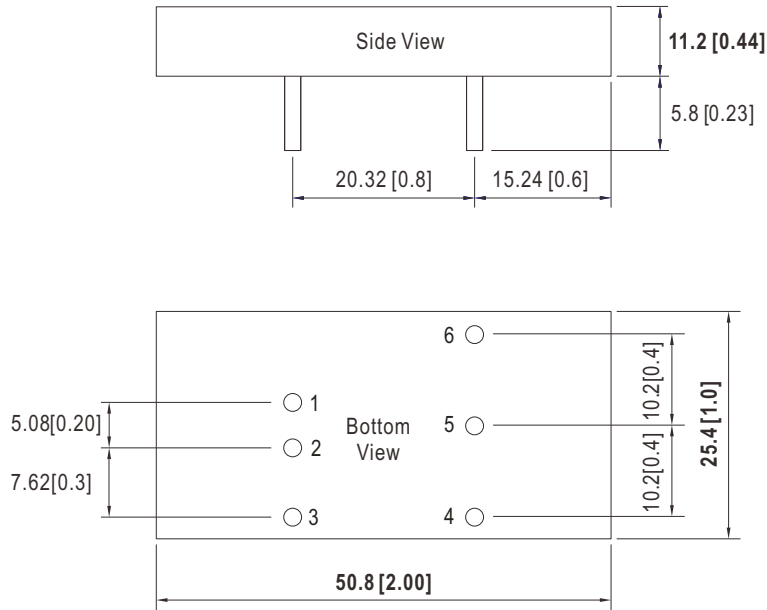
※ Required external componets to meet BS EN/EN55032 radiated Class B emission as below:



Model No.	BS EN/EN55032 radiated Class B					
	F1	C1	C2	C3	C4	L1
SKA15W8 DKA15W8	Suggest 5A Slow-Blow Type	47μF/100V	2.2μF/100V 1210 MLCC	1000pF/5KV MLCC	1000pF/5KV MLCC	325μH Common Choke

**Mechanical Specification**

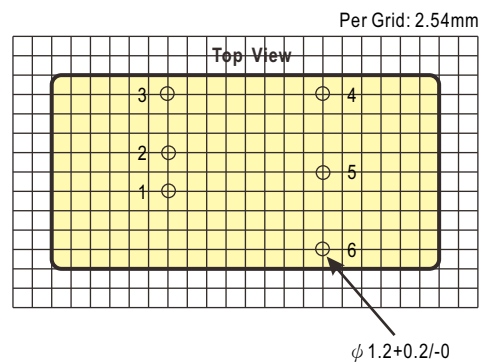
- All dimensions in mm (inch)
- Tolerance:  $x.xx \pm 0.5mm$  ( $x.xx \pm 0.02"$ )  
 $x.xx \pm 0.25mm$  ( $x.xxx \pm 0.010"$ )
- Pin tolerance:  $\phi 1 \pm 0.1mm$



**Pin Assignment**

Pin-Out		
Pin No.	SKA15W8 (Single output)	DKA15W8 (Dual output)
1	+Vin	+Vin
2	-Vin	-Vin
3	R.C. (By request)	
4	-Vout	-Vout
5	N.P.	Common
6	+Vout	+Vout

\*N.P.: No pin



**Packing**

Standard Tube Packing	MPQ Per Tube (PCS)	One Tube G.W.	Max. Q'TY/ Carton(PCS)	One Carton G.W.
<p>Unit : mm</p>	10	378g	400	15.92Kg

**Installation Manual**

Please refer to : <http://www.meanwell.com/manual.html>